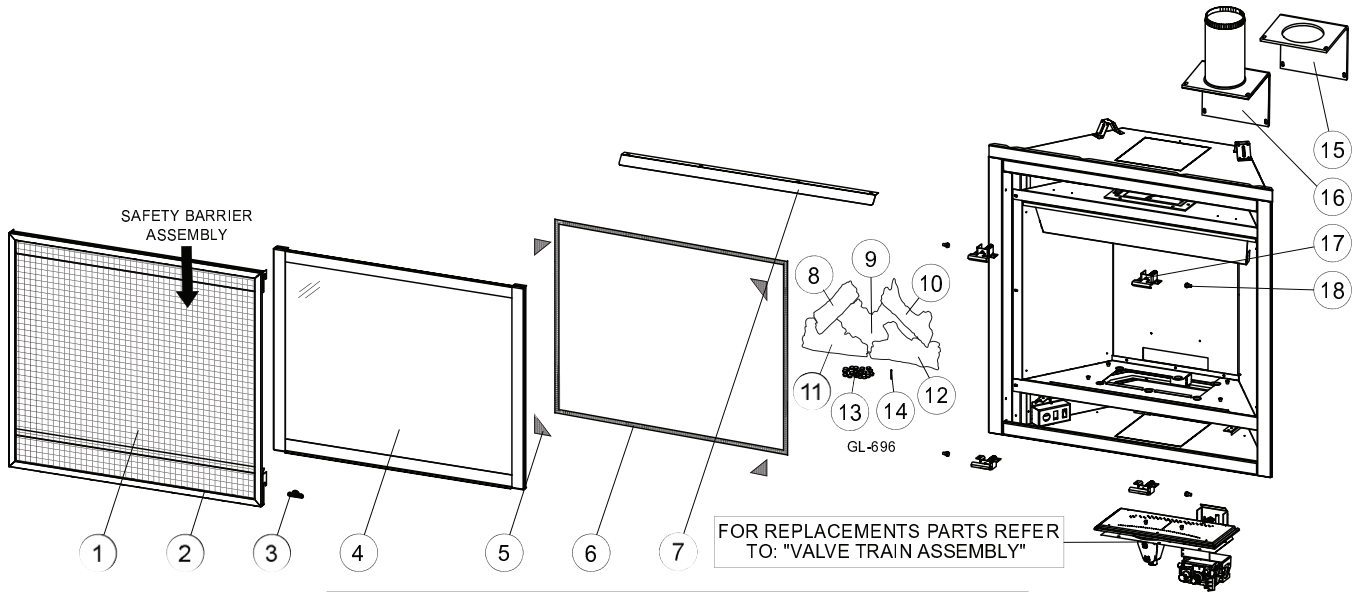


## 12.0 B36 OVERVIEW

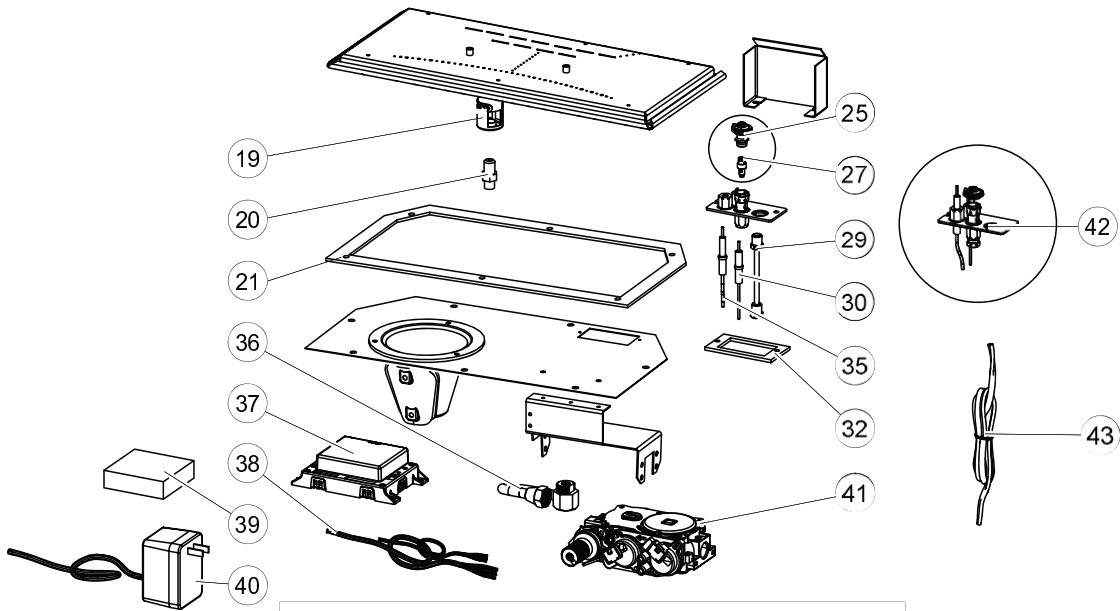


ITEMS MAY NOT APPEAR EXACTLY AS ILLUSTRATED

REF. NO.	PART NUMBER	DESCRIPTION	STOCKED
1	W565-0144	SAFETY SCREEN	YES
2	W010-3072	SAFETY BARRIER ASSEMBLY	
3	W385-0334	NAPOLEON LOGO	YES
4	W010-3402	DOOR ASSEMBLY	
5	W667-0018	GASKET TAPE (X4)	YES
6	W562-0009	DOOR GASKET	YES
7	W335-0063	HOOD	
8	W135-0546	LEFT CROSSOVER LOG (GL-696)	YES
9	W135-0588	REAR LOG (GL-696)	YES

REF. NO.	PART NUMBER	DESCRIPTION	STOCKED
10	W135-0589	RIGHT CROSSOVER LOG (GL-696)	YES
11	W135-0544	LEFT SIDE LOG (GL-696)	YES
12	W135-0545	RIGHT SIDE LOG (GL-696)	YES
13	W361-0016	GLOWING EMBERS (GL-696)	YES
14	W485-0042	LOG LOCATING PIN	YES
15	W290-0259	GASKET FLUE PIPE ASSY	YES
16	W010-3279	4" EXHAUST FLUE PIPE ASSY	YES
17	W010-3070	DOOR LATCHES (X4)	
18	W570-0135	SHOULDER SCREWS (X4)	YES

## 13.0 B36 ELECTRONIC VALVE TRAIN ASSEMBLY

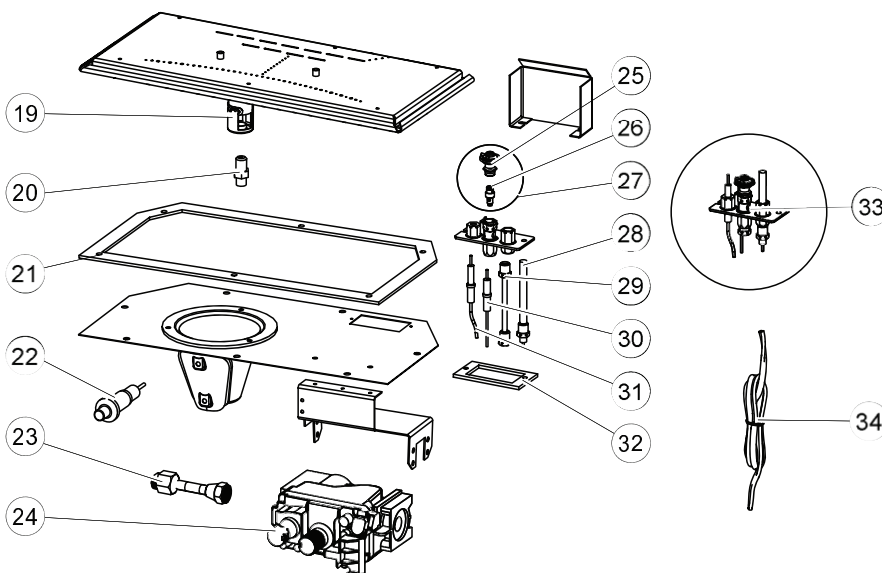


ITEMS MAY NOT APPEAR EXACTLY AS ILLUSTRATED

REF. NO.	PART NUMBER	DESCRIPTION	STOCKED
19	W100-0190	BURNER ASSEMBLY	YES
20	W456-0047	BURNER ORIFICE #47 (NG)	YES
20	W456-0056	BURNER ORIFICE #56 (LP)	YES
21	W290-0248	VALVE TRAIN GASKET	YES
25	W335-0039	PILOT HOOD	YES
27	W455-0070	PILOT ORIFICE #62 (NG)	YES
27	W455-0068	PILOT ORIFICE #35 (LP)	YES
29	W720-0062	PILOT TUBE (w/ FITTINGS)	YES
30	W240-0013	ELECTRODE (w/ WIRE)	YES
32	W290-0029	PILOT GASKET	
35	W245-0025	THERMOSENSOR	YES

REF. NO.	PART NUMBER	DESCRIPTION	STOCKED
36	W432-0046	MANIFOLD FLEX PIPE	YES
37	W190-0072	CONTROL MODULE	YES
38	W010-1986	WIRE HARNESS	YES
39	W350-0702	BATTERY BACK-UP	YES
40	W707-0010	TRANSFORMER	YES
41	W725-0062	886 PROFLAME VALVE (NG)	YES
41	W725-0063	886 PROFLAME VALVE (LP)	YES
42	W010-2763	PILOT ASSEMBLY (NG)	
42	W010-2808	PILOT ASSEMBLY (LP)	
43	W750-0270	WIRE SWITCH	YES

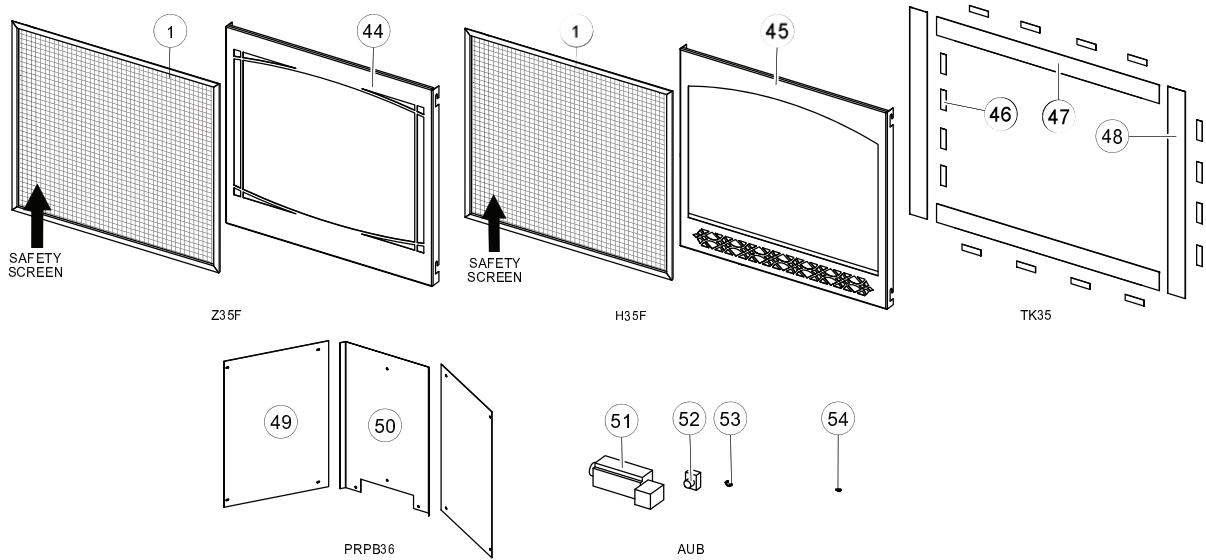
## 14.0 B36 MILLIVOLT VALVE TRAIN ASSEMBLY



ITEMS MAY NOT APPEAR EXACTLY AS ILLUSTRATED

REF. NO.	PART NUMBER	DESCRIPTION	STOCKED	REF. NO.	PART NUMBER	DESCRIPTION	STOCKED
19	W100-0190	BURNER ASSEMBLY	YES	27	W010-0801	PILOT (NG)	YES
20	W456-0047	BURNER ORIFICE #47 (NG)	YES	27	W010-0800	PILOT (LP)	YES
20	W456-0056	BURNER ORIFICE #56 (LP)	YES	28	W680-0004	THERMOPILE	YES
21	W290-0248	VALVE TRAIN GASKET	YES	29	W720-0062	PILOT TUBE (w/ FITTINGS)	YES
22	W357-0001	PUSH BUTTON IGNITOR	YES	30	W240-0006	ELECTRODE (w/ WIRE)	YES
23	W432-0078	MANIFOLD FLEX PIPE	YES	31	W680-0005	THERMOCOUPLE	YES
24	W725-0025	VALVE (NG)	YES	32	W290-0029	PILOT GASKET	
24	W725-0043	VALVE (LP)	YES	33	W010-0798	PILOY ASSEMBLY (NG)	
25	W335-0039	PILOT HOOD	YES	33	W010-0799	PILOT ASSEMBLY (LP)	
26	W455-0070	PILOT ORIFICE #62 (NG)	YES	34	W750-0112	WIRE SWITCH	
26	W455-0068	PILOT ORIFICE #35 (LP)	YES				

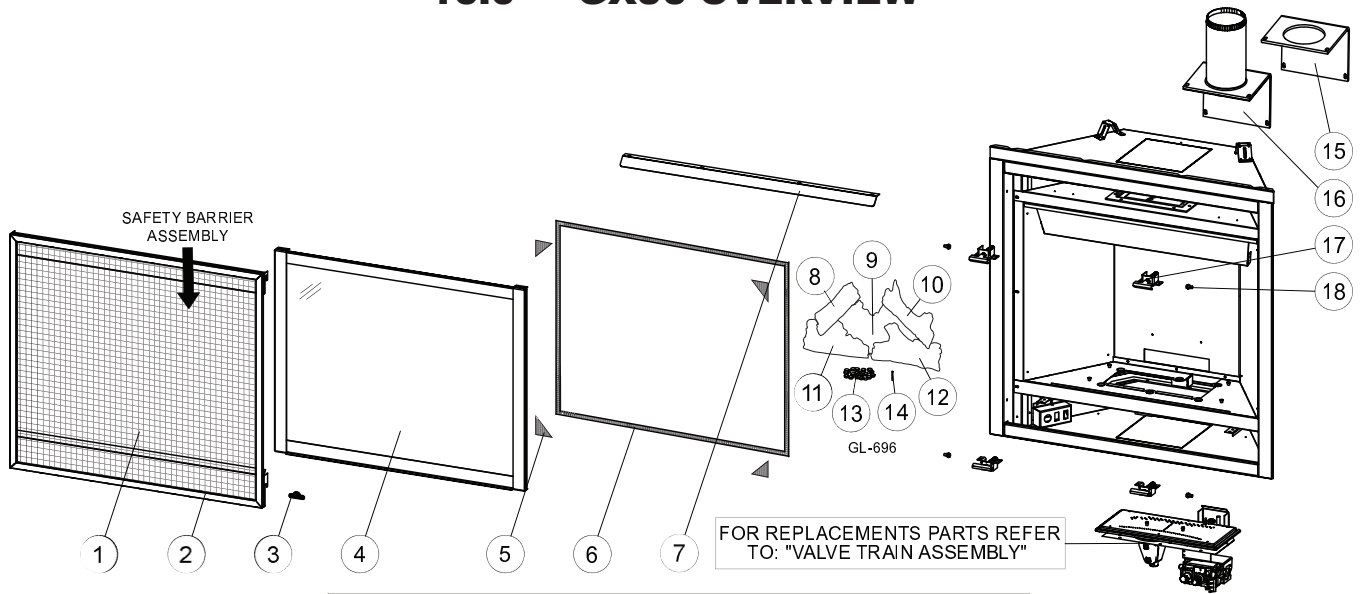
## 15.0 B36 ACCESSORIES



ITEMS MAY NOT APPEAR EXACTLY AS ILLUSTRATED

REF. NO.	PART NUMBER	DESCRIPTION	STOCKED	REF. NO.	PART NUMBER	DESCRIPTION	STOCKED
1	W565-0144	SAFETY SCREEN (Z35F & H35F)	YES	50	W475-1012	REAR PORCELAIN PANEL (PRPB36)	
44	W010-3281	ZEN FRONT ASSEMBLY (Z35F)		51	W062-0051	BLOWER (AUB)	YES
45	W010-3282	HERRITAGE FRONT ASSEMBLY(H35F)		52	KB-35	VARIABLE SPEED SWITCH	YES
46	W430-0003	MAGNET (X16) (TK35)	YES	53	W690-0002	THERMODISC	YES
47	W715-0953	TOP/BOTTOM TRIM (X2) (TK35)		54	ACS-SIT	ANTI-CONDENSATION SWITCH (ACS)	YES
48	W715-0952	SIDE TRIM (X2) (TK35)					
49	W475-1012	SIDE PORCELAIN PANEL(X2) (PRPB36)					

## 16.0 GX36 OVERVIEW

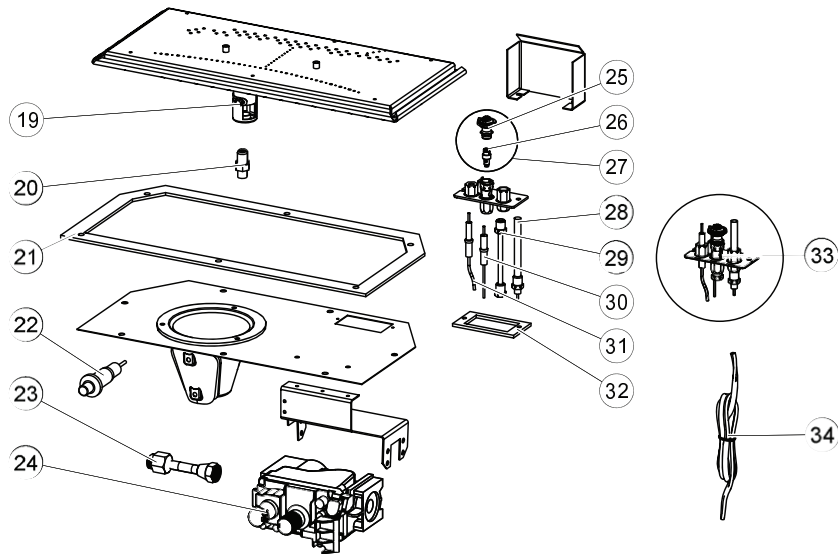


ITEMS MAY NOT APPEAR EXACTLY AS ILLUSTRATED

REF. NO.	PART NUMBER	DESCRIPTION	STOCKED
1	W565-0144	SAFETY SCREEN	YES
2	W010-3072	SAFETY BARRIER ASSEMBLY	
3	W385-0334	NAPOLEON LOGO	YES
4	W010-3402	DOOR ASSEMBLY	
5	W667-0018	GASKET TAPE (X4)	YES
6	W562-0009	DOOR GASKET	YES
7	W335-0063	HOOD	
8	W135-0546	LEFT CROSSOVER LOG (GL-696)	YES
9	W135-0588	REAR LOG (GL-696)	YES

REF. NO.	PART NUMBER	DESCRIPTION	STOCKED
10	W135-0589	RIGHT CROSSOVER LOG (GL-696)	YES
11	W135-0544	LEFT SIDE LOG (GL-696)	YES
12	W135-0545	RIGHT SIDE LOG (GL-696)	YES
13	W361-0016	GLOWING EMBERS (GL-696)	YES
14	W485-0042	LOG LOCATING PIN	YES
15	W290-0259	GASKET FLUE PIPE ASSY	YES
16	W010-3279	4" EXHAUST FLUE PIPE ASSY	YES
17	W010-3070	DOOR LATCHES (X4)	
18	W570-0135	SHOULDER SCREWS (X4)	YES

## 17.0 GX36 MILLIVOLT VALVE TRAIN ASSEMBLY



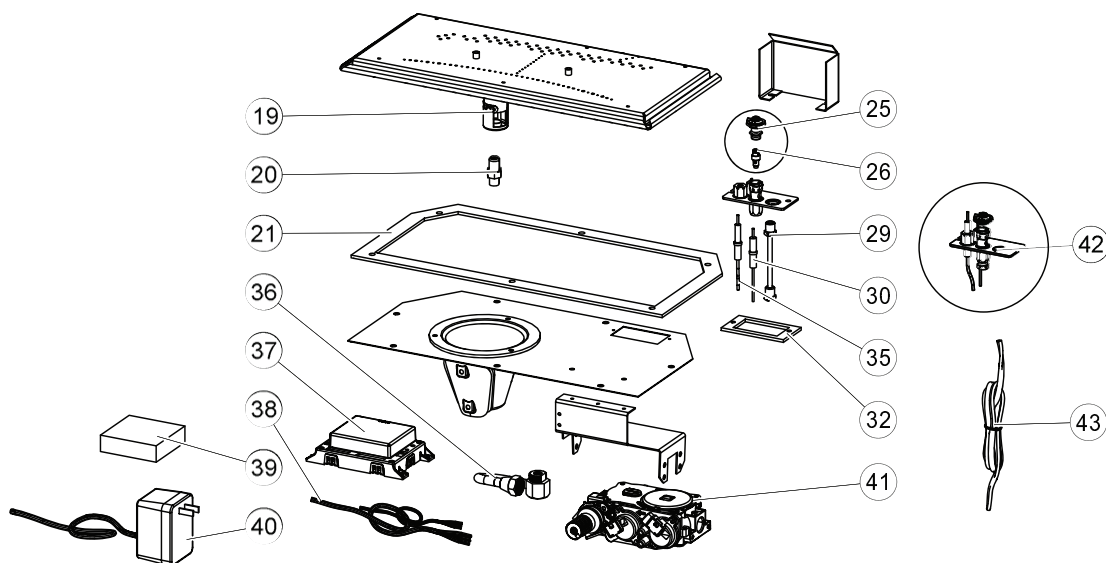
ITEMS MAY NOT APPEAR EXACTLY AS ILLUSTRATED

REF. NO.	PART NUMBER	DESCRIPTION	STOCKED	REF. NO.	PART NUMBER	DESCRIPTION	STOCKED
19	W100-0191	BURNER ASSEMBLY	YES	26	W455-0068	PILOT ORIFICE #35 (LP)	YES
20	W456-0042	TOP VENT BURNER ORIFICE #42 (NG)	YES	27	W010-0801	PILOT (NG)	YES
20	W456-0043	REAR VENT BURNER ORIFICE #43 (NG)	YES	27	W010-0800	PILOT (LP)	YES
20	W456-0053	BURNER ORIFICE #53 (LP)	YES	28	W680-0004	THERMOPILE	YES
21	W290-0248	VALVE TRAIN GASKET	YES	29	W720-0062	PILOT TUBE (w/ FITTINGS)	YES
22	W357-0001	PUSH BUTTON IGNITOR	YES	30	W240-0006	ELECTRODE (w/ WIRE)	YES
23	W432-0078	MANIFOLD FLEX PIPE	YES	31	W680-0005	THERMOCOUPLE	YES
24	W725-0025	VALVE (NG)	YES	32	W290-0029	PILOT GASKET	
24	W725-0043	VALVE (LP)	YES	33	W010-0798	PILOY ASSEMBLY (NG)	
25	W335-0039	PILOT HOOD	YES	33	W010-0799	PILOY ASSEMBLY (LP)	
26	W455-0070	PILOT ORIFICE #62 (NG)	YES	34	W750-0112	WIRE SWITCH	

**NOTE:** A #42 orifice was supplied with your appliance. In installations with a vertical rise greater than 8" (203mm) in the vent configuration, the #42 orifice must be used to increase the flame size.

EN

## 18.0 GX36 ELECTRONIC VALVE TRAIN ASSEMBLY

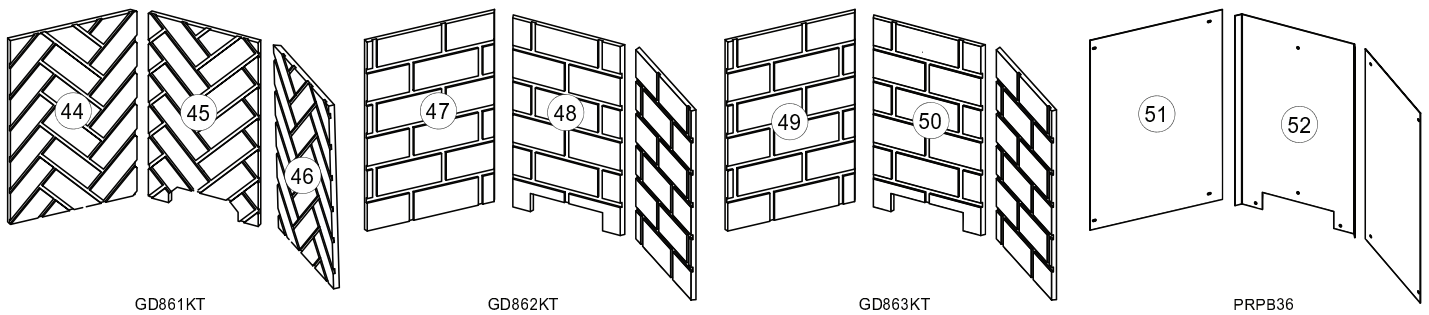


ITEMS MAY NOT APPEAR EXACTLY AS ILLUSTRATED

REF. NO.	PART NUMBER	DESCRIPTION	STOCKED	REF. NO.	PART NUMBER	DESCRIPTION	STOCKED
19	W100-0191	BURNER ASSEMBLY	YES	35	W245-0025	THERMOSENSOR	YES
20	W456-0042	TOP VENT BURNER ORIFICE #42 (NG)	YES	36	W432-0046	MANIFOLD FLEX PIPE	YES
20	W456-0043	REAR VENT BURNER ORIFICE #43 (NG)	YES	37	W190-0072	CONTROL MODULE	YES
20	W456-0053	BURNER ORIFICE #53 (LP)	YES	38	W010-1986	WIRE HARNESS	YES
21	W290-0248	VALVE TRAIN GASKET	YES	39	W350-0702	BATTERY BACK-UP	YES
25	W335-0039	PILOT HOOD	YES	40	W707-0010	TRANSFORMER	YES
26	W455-0070	PILOT ORIFICE #62 (NG)	YES	41	W725-0062	886 PROFLAME VALVE (NG)	YES
26	W455-0068	PILOT ORIFICE #35 (LP)	YES	41	W725-0063	886 PROFLAME VALVE (LP)	YES
29	W720-0062	PILOT TUBE (w/ FITTINGS)	YES	42	W010-2763	PILOT ASSEMBLY (NG)	
30	W240-0013	ELECTRODE (w/ WIRE)	YES	42	W010-2808	PILOT ASSEMBLY (LP)	
32	W290-0029	PILOT GASKET		43	W750-0270	WIRE SWITCH	YES

**NOTE:** A #42 orifice was supplied with your appliance. In installations with a vertical rise greater than 8" (203mm) in the vent configuration, the #42 orifice must be used to increase the flame size.

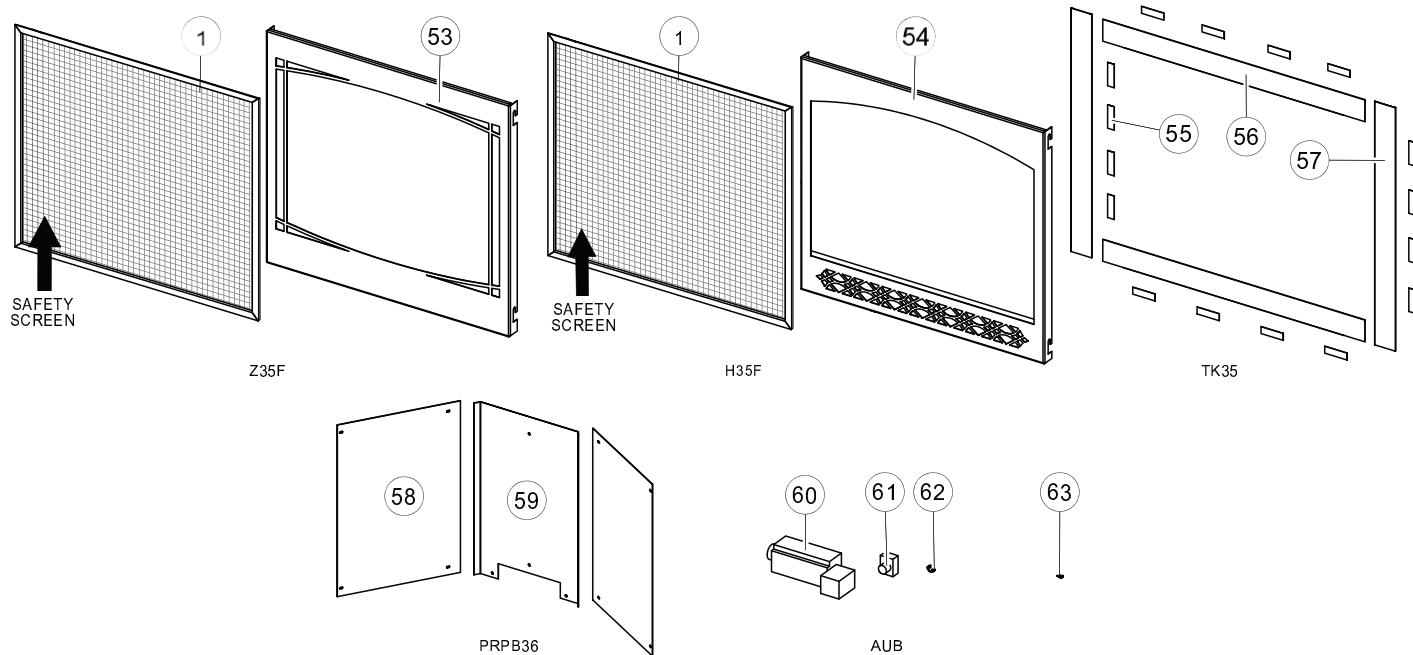
## 19.0 GX36 ACCESSORIES



ITEMS MAY NOT APPEAR EXACTLY AS ILLUSTRATED

REF. NO.	PART NUMBER	DESCRIPTION	STOCKED
44	W475-0994	LEFT SIDE HERRINGBONE PANEL (GD861KT)	
45	W475-0993	REAR HERRINGBONE PANEL (GD861KT)	
46	W475-0995	RIGHT SIDE HERRINGBONE PANEL (GD861KT)	
47	W475-0992	SIDE SANDSTONE BRICK PANEL (X2) (GD862KT)	
48	W475-0991	REAR SANDSTONE BRICK PANEL (GD862KT)	
49	W475-0997	SIDE NEWPORT BRICK PANEL (X2) (GD863KT)	
50	W475-0996	REAR NEWPORT BRICK PANEL (GD863KT)	
51	W475-0990	SIDE PORCELAIN PANELS (X2) (PRPB36)	
52	W475-0989	REAR PORCELAIN PANEL (PRPB36)	





ITEMS MAY NOT APPEAR EXACTLY AS ILLUSTRATED

REF. NO.	PART NUMBER	DESCRIPTION	STOCKED
1	W565-0144	SAFETY SCREEN (Z35F & H35F)	YES
53	W010-3281	ZEN FRONT ASSEMBLY (Z35F)	
54	W010-3282	HERRITAGE FRONT ASSEMBLY(H35F)	
55	W430-0003	MAGNET (X16) (TK35)	YES
56	W715-0953	TOP/BOTTOM TRIM (X2) (TK35)	
57	W715-0952	SIDE TRIM (X2) (TK35)	
58	W475-1012	SIDE PORCELAIN PANEL (X2) (PRPB36)	

REF. NO.	PART NUMBER	DESCRIPTION	STOCKED
59	W475-1012	REAR PORCELAIN PANEL (PRPB36)	
60	W062-0051	BLOWER (AUB)	YES
61	KB-35	VARIABLE SPEED SWITCH	YES
62	W690-0002	THERMODISC	YES
63	ACS-SIT	ANTI-CONDENSATION SWITCH (ACS)	YES